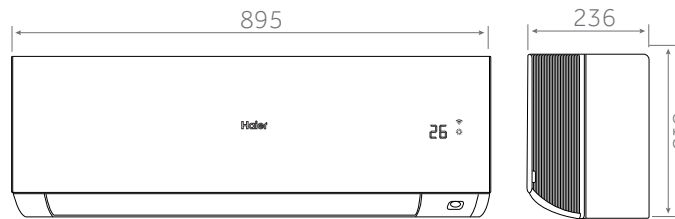




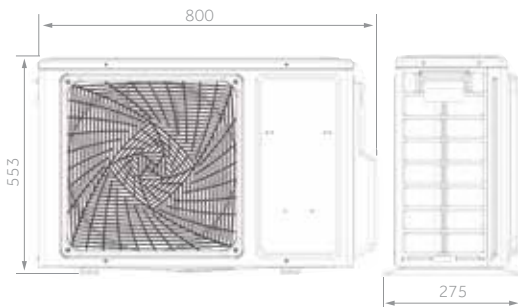
reddot winner 2022



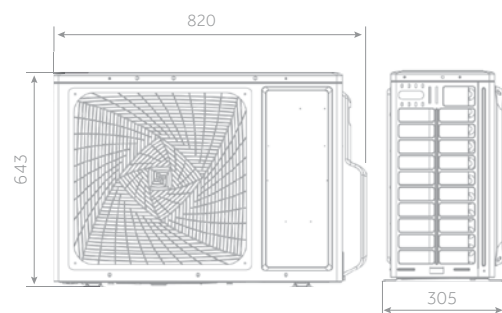
AS25 - AS35 - AS50 - AS71



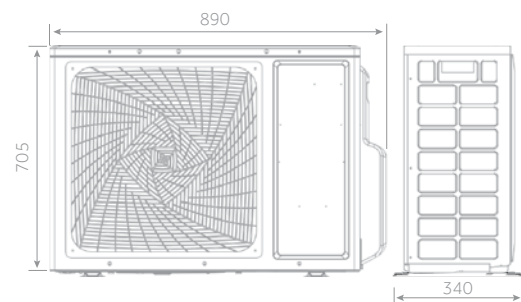
1U25 - 1U35



1U50



1U71



2,5 kW - 3,5 kW

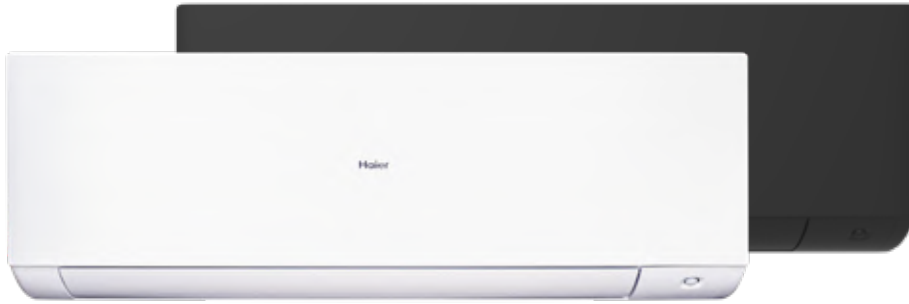
5,0 kW

7,1 kW

EXPERT NEW

Haier

MONOSPLIT



A+++ / A++

2,8 kW

3,5 kW

5,0 kW

7,1 kW



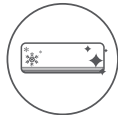
Standard HR-HJ



Easy Installation



I Feel



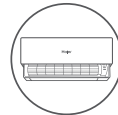
Self Clean



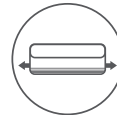
Eco Sensor



Integrated Wi-Fi Control



Easy to Disassemble



2-Way Piping Design



UVC Pro

- Easy Installation
- I Feel
- Self-Clean
- Eco Sensor
- Integrated Wi-Fi control
- Easy to Clean
- 2-Way Pipe Design
- UVC Pro
- 3D airflow: continuous movement of horizontal and vertical deflectors



INDOOR UNIT WHITE	Model		AS25XCAHRA	AS35XCAHRA	AS50XCAHRA	AS71XCAHRA
INDOOR UNIT BLACK	Model		AS25XCAHRA-MB	AS35XCAHRA-MB	AS50XCAHRA-MB	AS71XCAHRA-MB
OUTDOOR UNIT	Model		1U25S2SM1FA-2	1U35S2SM1FA-2	1U50S2SJ2FA-2	1U71S2ST1FA
Performance data						
Output power - COOLING	nom (min-max)	kW	2,80 (0,80-3,20)	3,50 (1,00-4,00)	5,00 (1,40-5,50)	6,20(2,20-7,00)
Output power - HEATING	nom (min-max)	kW	3,20 (0,80-4,20)	4,20 (1,00-5,20)	5,60 (1,70-6,20)	6,80(2,40-7,80)
Absorbed power - COOLING	nom (min-max)	kW	0,651 (0,20-1,20)	0,875 (0,30-1,40)	1,470 (0,50-2,00)	1,92(0,70-2,60)
Absorbed power - HEATING	nom (min-max)	kW	0,761 (0,30-1,50)	1,037 (0,50-1,60)	1,509 (0,52-2,30)	1,83(0,60-2,90)
Energy class	EER	W/W	4,30	4,00	3,40	3,23
	COP	W/W	4,20	4,05	4,00	3,71
COOLING Pdesign	35 °C	kW	2,80	3,50	5,00	6,20
HEATING Pdesign	(-10 °C)	kW	2,50	2,80	4,60	5,60
Energy class	SEER		8,80 (A+++)	8,50 (A+++)	6,60 (A++)	6,80 (A++)
	SCOP		4,75 (A++)	4,75 (A++)	4,60 (A++)	4,00 (A+)
Annual Energy Consumption - COOLING		kWh/a	111	144	265	320
Annual Energy Consumption - HEATING		kWh/a	737	825	1400	1960
Indoor Unit						
Power supply		Ph/V/Hz	1/220-240/50	1/220-240/50	1/220-240/50	1/220-240/50
Treated air volume	H	m3/h	730	800	880	920
Dehumidification		L/h	1,2	1,6	2,0	2,8
High sound power - COOLING		dB	56	57	60	65
High sound power - HEATING		dB	56	57	60	65
Sound pressure - COOLING		dB(A)	39/32/25/16	40/33/26/17	45/37/29/20	47/45/37/29
Sound pressure - HEATING		dB(A)	39/32/25/16	40/33/26/17	45/37/29/20	47/45/37/29
Net dimensions	WxDxH	mm	895x236x313	895x236x313	895x236x313	895x313x236
Packaging dimensions	WxDxH	mm	964x386x316	964x386x316	964x386x316	964x386x316
Net/gross weight		kg	11,3/14,0	11,3/14,0	11,6/14,2	12,4/14,8
Outdoor Unit						
Power supply		Ph/V/Hz	1/220-240/50	1/220-240/50	1/220-240/50	1/220-240/50
Power cable		N x mm2	3 x 1,5	3 x 1,5	3 x 2,5	3 x 2,5
Interconnection cable		N x mm2	4 x 1,0	4 x 1,0	4 x 1,0	4 x 1,0
Sound power	H	dB	59	63	63	68
Sound pressure	H	dB(A)	48	49	50	53
Running current cooling/heating	Max	A	6,8/6,8	7,2/7,2	10,68/10,68	11,8/13
Starting current cooling/heating	Max	A	1,5/1,5	1,5/1,5	2,0/2,0	2,0/2,0
Net dimensions	WxDxH	mm	800x275x553	800x275x553	820x305x643	890x340x705
Packaging dimensions	WxDxH	mm	902x375x607	902x375x607	940x390x697	1046x460x780
Net/gross weight		kg	27,6/30,4	30/32,9	35,7/38,5	44/48
Compressor type			Rotary Inverter	Rotary Inverter	Twin rotary inverter	Twin rotary inverter
Installation data						
Refrigerant			R32	R32	R32	R32
Liquid pipe	Ø	mm (inch)	6,35 (1/4)	6,35 (1/4)	6,35 (1/4)	9,52 (3/8)
Gas pipe	Ø	mm (inch)	9,52 (3/8)	9,52 (3/8)	12,70 (1/2)	15,88(5/8)
Standard pipe length without refrigerant charge		m	7	7	7	7
Maximum pipe length		m	20	20	25	50
Maximum IU - OU elevation		m	10	10	15	30
Refrigerant charge in the factory		kg	0,63	0,78	1,10	1,23
Refrigerant charge in the factory		TCO2eq	0,43	0,53	0,74	0,83
Additional ref. charge over std length		g/m	20	20	20	20
Operating limits - COOLING (in/out)	min-max	°C	21-35/-20-43			
Operating limits - HEATING (in/out)	min-max	°C	10-27/-20-24			

The data in this catalogue is purely indicative as the data may vary. Please be advised to check the accuracy of the data with the supplier before purchasing products.

EXPERT NEW



2,0 kW

2,5 kW

3,5 kW

5,0 kW

7,1 kW



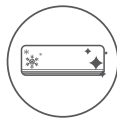
Standard HQ-HJ



Easy Installation



I Feel



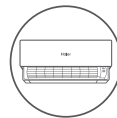
Self Clean



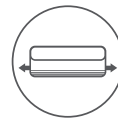
Coanda Plus



Eco Sensor



Easy to Disassemble



2-Way Piping Design

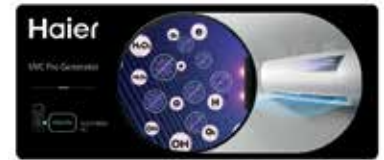


UVC Pro



Integrated Wi-Fi Control

- Easy Installation
- I Feel
- Self-Clean (Only Dual)
- Eco Sensor
- On-Off Card
- 2-Way Pipe Design
- UVC Pro
- Integrated Wi-Fi control



Indoor Unit	Model	AS20XCAHRA		AS25XCAHRA		AS35XCAHRA		AS50XCAHRA		AS71XCAHRA	
Performance data											
Output power - COOLING	nom (min-max)	kW	2,00	2,80 (0,80-3,20)	3,50 (1,00-4,00)	5,00 (1,40-5,50)	6,2(2,20-7,0)				
Output power - HEATING	nom (min-max)	kW	2,50	3,20 (0,80-4,20)	4,20 (1,00-5,20)	5,60 (1,70-6,20)	6,8(2,40-7,80)				
Power supply		Ph/V/Hz	1/220-240/50	1/220-240/50	1/220-240/50	1/220-240/50	1/220-240/50				
Interconnection cable			4 x 1,0	4 x 1,0	4 x 1,0	4 x 1,0	4 x 1,0				
Treated air volume	H	m3/h	730	730	800	880	920				
Indoor Unit											
High sound power - COOLING		dB	56	56	57	60	65				
High sound power - HEATING		dB	56	56	57	60	65				
Sound pressure - COOLING		dB(A)	39/32/25/16	39/32/25/16	40/33/26/17	45/37/29/20	47/45/37/29				
Sound pressure - HEATING		dB(A)	39/32/25/16	39/32/25/16	40/33/26/17	45/37/29/20	47/45/37/29				
Net dimensions	WxDxH	mm	895x313x236	895x313x236	895x313x236	895x313x236	895/236/313				
Packaging dimensions	WxDxH	mm	964x386x316	964x386x316	964x386x316	964x386x316	949/298/371				
Net/gross weight		kg	11,3/14,0	11,3/14,0	11,3/14,0	11,6/14,2	12,4/14,8				
Installation data											
Liquid pipe	Ø	mm	6,35 (1/4)	6,35 (1/4)	6,35 (1/4)	6,35 (1/4)	9,52 (3/8)				
Gas pipe	Ø	mm	9,52 (3/8)	9,52 (3/8)	9,52 (3/8)	12,70 (1/2)	15,88 (5/8)				
Control											
Standard	Remote control		HQ-HJ	HQ-HJ	HQ-HJ	HQ-HJ	HQ-HJ				

AS20 - AS25 - AS35 - AS50 - AS71

